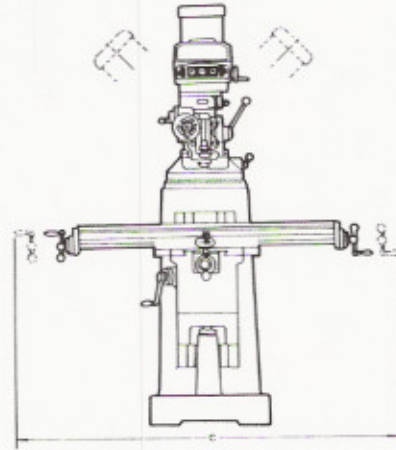
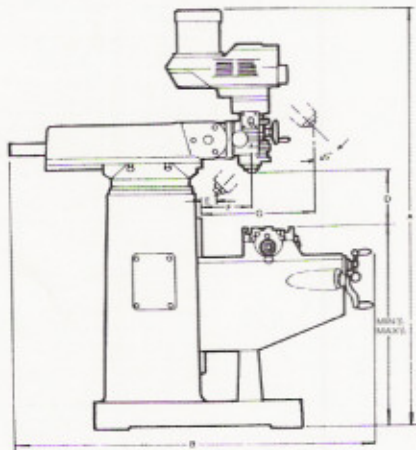


SPECIFICATIONS FOR "BIRMINGHAM" Knee Mills

MODEL	BPS-1642•BPS-1649		BPV-3942•BPV-3949•BPV-3949-F		BPS-1054•BPV-1054•BPV-1054-F		BPV-4KV•BPV-4KVF	
TABLE SIZE	9"X42" 9"X49"		9"X42" 9"X49"		10"X54" (OPT. 10"X60")		10"X54" (OPT. 10"X60")	
TABLE LOAD CAPACITY	600 LBS		600 LBS		700 LBS		800 LBS	
TABLE T-SLOT SIZE	16mm x 3		16mm x 3		16mm x 3		16mm x 3	
LONGITUDINAL TRAVERSE HAND ONLY	28 1/2" 35"		28 1/2" 35"		36" (42")		36" (42")	
LONGITUDINAL TRAVERSE POWER FEED	25 1/2" 32 1/4"		25 1/2" 32 1/4"		32 1/4" (38")		32 1/4" (38")	
CROSS TRAVEL	12"		12"		15 3/4"		17"	
VERTICAL TRAVEL	16"		16"		16"		17"	
RAM TRAVEL	12"		12"		18"		18"	
QUILL FEED SPEEDS	0.0015",0.003",0.006"/REV		0.0015",0.003",0.006"/REV		0.0015",0.003",0.006"/REV		0.0015",0.003",0.006"/REV	
QUILL TRAVEL	5"		5"		5"		5" (OPT. 6" BPV-5KV)	
SPINDLE TAPER	R8		R8		R8		NT / CAT 40	
QUILL DIAMETER	85.72mm (3 3/8")		85.72mm (3 3/8")		85.72mm (3 3/8")		105mm (4.13")	
HEAD SWIVEL RH/LH	90° / 90°		90° / 90°		90° / 90°		90° / 90°	
HEAD TILTING F/B	45° / 45°		45° / 45°		45° / 45°		45° / 45°	
RAM TURRET SWIVEL	360°		360°		360°		360°	
SPINDLE MOTOR	3HP, 3Ø (2HP, 1Ø)		3HP, 3Ø (3HP 1Ø)		3HP, 3Ø (3HP 1Ø)		5 HP	
SPINDLE SPEEDS TYPE	Step Pulley		"BPS" Step Pulley		"BPV" mechanical variable		"BPV-F" inverter variable	
SPINDLE SPEEDS (RPM)	90-5600 (16 SPEEDS)		"BPS" 90-5600 (16 SPEEDS)		"BPV" 60-4300 (Var.)		"BPV-F" 65-5000 (Var.)	
NET WEIGHT	2200lbs	2250lbs	2430lbs	2480lbs	3000 lbs		3700 lbs	
A x B x C	81" X 68" X 60"	86" X 68" X 67"	82 1/2" X 68" X 60"	82 1/2" X 68" X 67"	86 5/8" X 77 5/8" X 72"		90 1/2" X 81" X 72"	
D MAX	18"		18"		18 3/4"		19 3/4"	
MIN	2"		2"		2"		2"	
E MAX	12"		12"		12"		18"	
MIN	0		0		0"		0"	
F MAX	18 3/4"		18 3/4"		20"		24"	
MIN	6 3/4"		6 3/4"		6 3/4"		5 1/2"	
G MAX	20 3/4"		20 3/4"		25"		28"	
MIN	8 3/4"		8 3/4"		9"		10"	

*ALL SPECIFICATION & MACHINE DESIGN SUBJECT TO CHANGE WITHOUT PRIOR NOTICE.



BPS-1642 BPV-3942 BPS-1054 BPV-3949-F BPS-1649 BPV-3949 BPV-1054 BPV-1054-F

STANDARD ACCESSORIES

- (1) Tool box 1 set
- (2) Front chip guard 1 pc
- (3) Rear chip guard 1 pc
- (4) Draw bar 1 pc
- (5) One shot lube

OPTIONAL EQUIPMENT

- (1) Coolant system
- (2) Power feed unit
- (3) Halogen worklight
- (4) Electric control box
- (5) Cutter holder
- (6) Vise
- (7) Clamping kit set
- (8) Digital readout
- (9) Base coolant drop pan
- (10) Power air draw bar

BPV-4KV BPV-4KVF BPV-5KV

STANDARD ACCESSORIES

- (1) Tool box 1 set
- (2) Front chip guard
- (3) Rear chip guard
- (4) Draw bar
- (5) Halogen worklight
- (6) Coolant system
- (7) Electric box
- (8) Control panel
- (9) Base coolant drop pan
- (10) One shot lube

OPTIONAL EQUIPMENT

- 1) Power feed unit
- (2) Cutter holder
- (3) Vise
- (4) Clamping kit set
- (5) Up/down (Z) rapid traverse motor
- (6) Digital readout
- (7) Power air draw bar